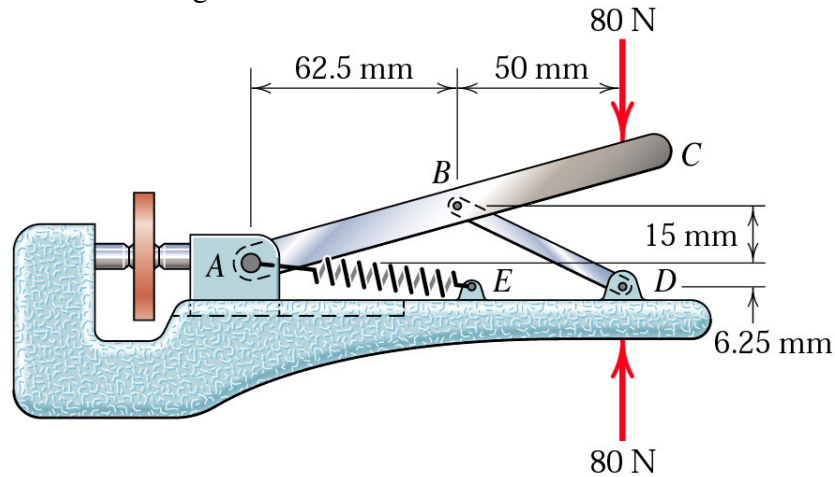


Lecture 4: Exercises

(1) The figure shows an eyelet squeezer. An object is placed in the holder to the left of point A. When a pair of forces is applied to the handles, the block at A will slide with negligible friction in a slot. Neglecting the small force exerted by the return spring, determine the compressive force applied to the object when a pair of 80 N forces is applied as shown in the figure.



(2) A lifting device for transporting a 135-kg steel drums is shown in the figure. Determine the force exerted on the drum at points E and F.

(3) Determine the force that the bottle opener exerts on the cork.

